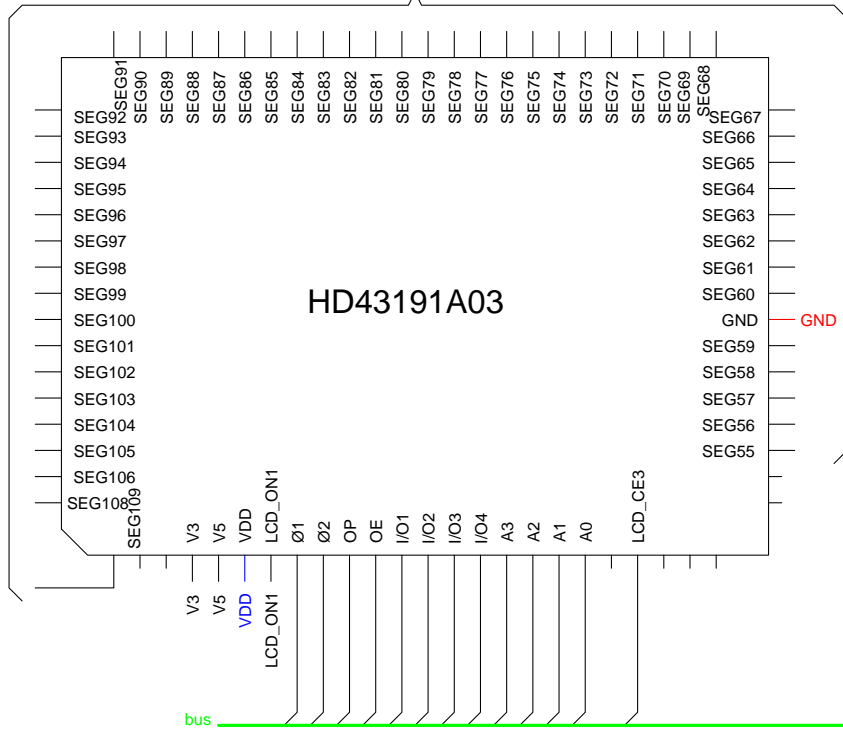
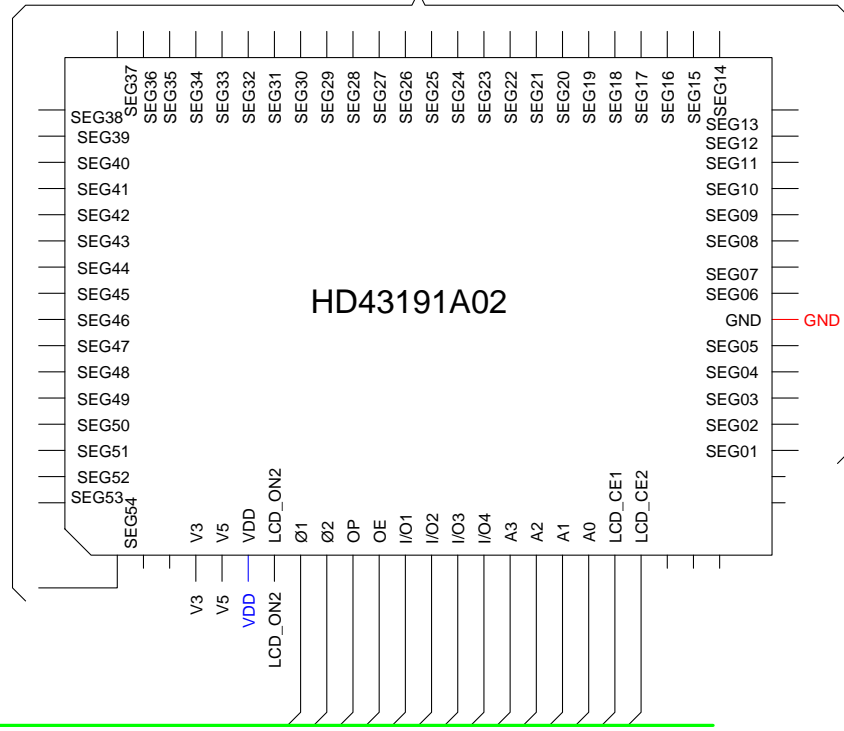
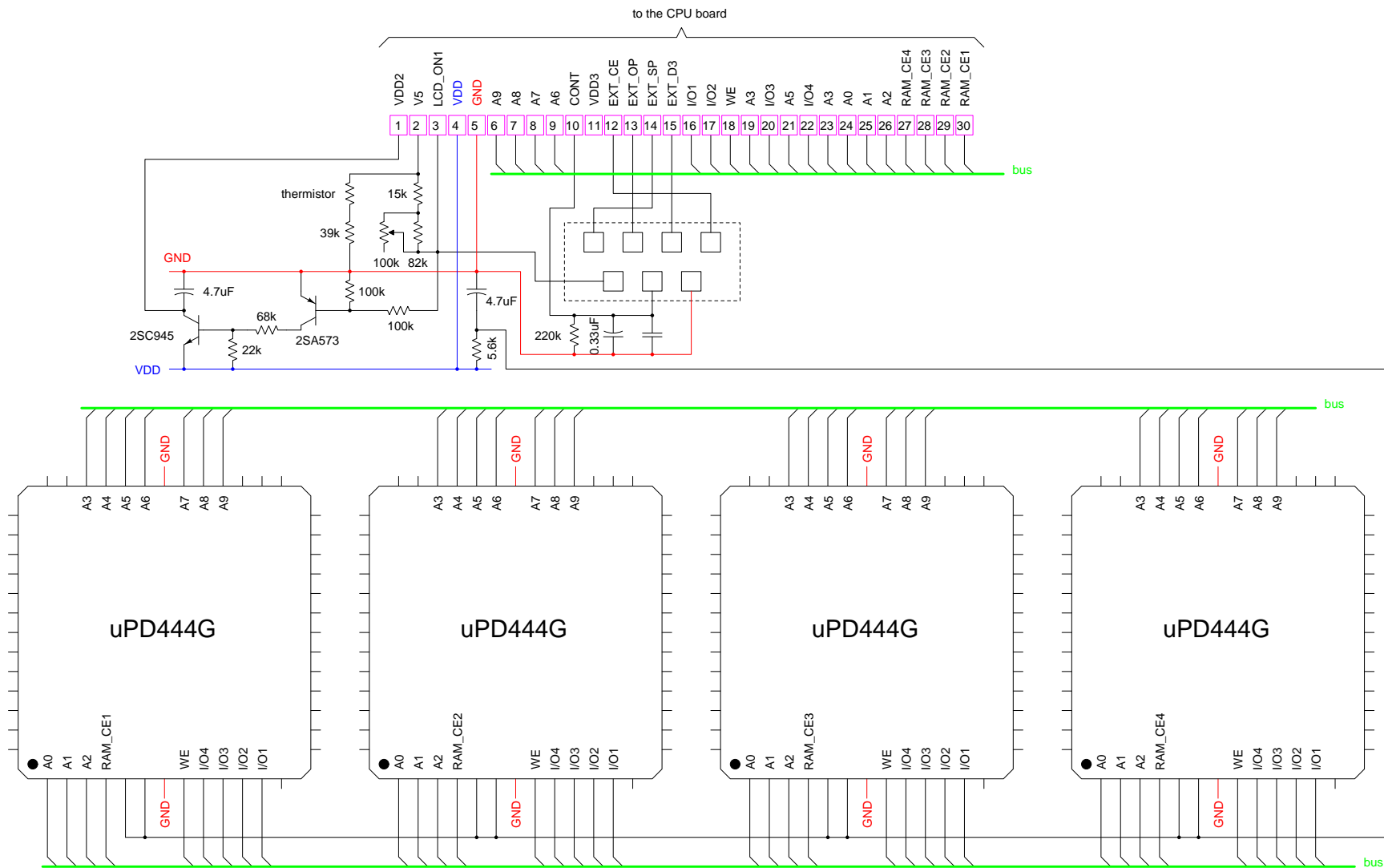


right half of the LCD



left half of the LCD





# LCD waveforms

