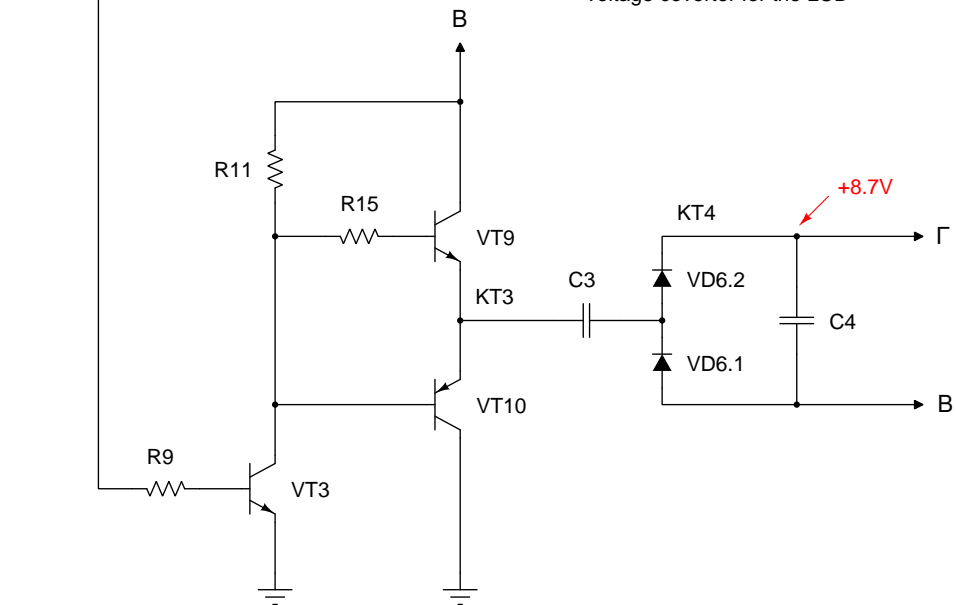
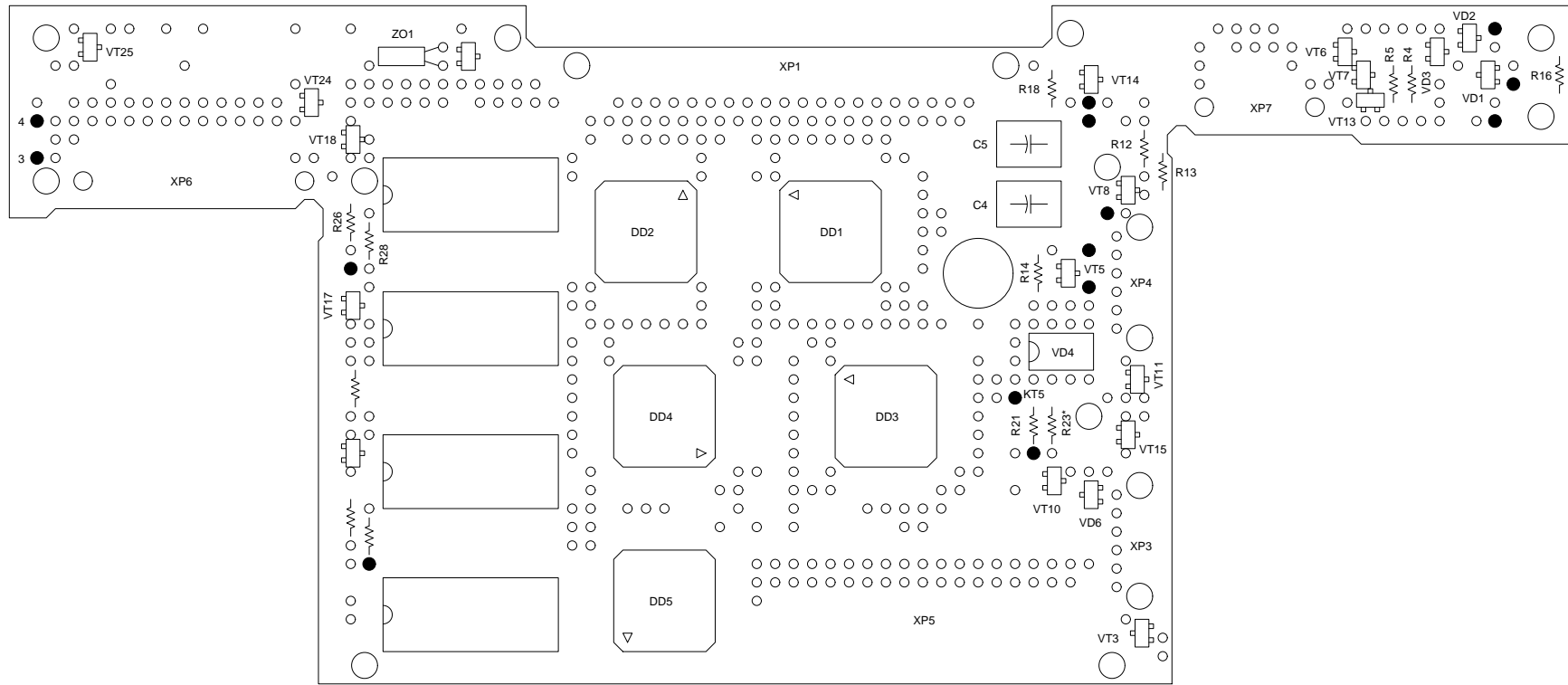
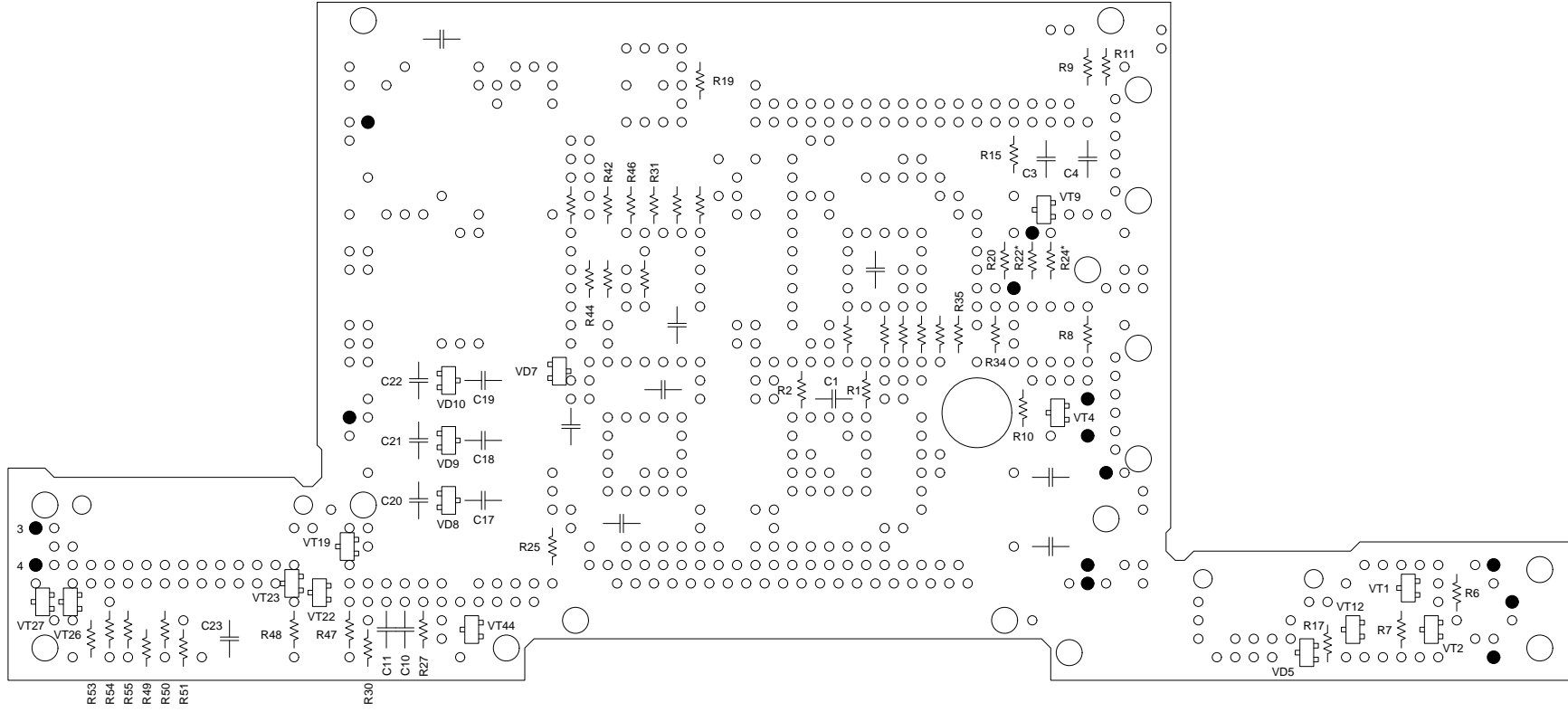


voltage coverter for the LCD







Parts list

R1	6.8k Ω	R55	5.1k Ω	VT15	npn	white
R2	6.8k Ω			VT16	npn	black
R3	1M Ω	C1	39pF	VT17	npn	black
R4	300k Ω	C2		VT18	npn	black
R5	100k Ω	C3		VT19	npn	red
R6	300k Ω	C4		VT20	npn	black
R7	300k Ω	C5	22 μ F	VT21	npn	black
R8	300k Ω	C6	22 μ F	VT22	npn	black
R9	300k Ω	C7		VT23	npn	black
R10	100k Ω	C8		VT24	npn	red
R11	51k Ω	C9		VT25	npn	white
R12	24k Ω	C10		VT26	npn	red
R13	47k Ω	C11		VT27	npn	red
R14	300k Ω	C12				
R15	5.1k Ω	C13		VD1	КД704AC9	black
R16	300k Ω	C14		VD2	КД704AC9	black
R17	100k Ω	C15		VD3	КД707AC9	yellow
R18	10k Ω	C16		VD4	КC106A	
R19	100k Ω	C17		VD5	КД704AC9	black
R20		C18		VD6	КД707AC9	yellow
R21		C19		VD7	КД704AC9	black
R22	*	C20		VD8	КД707AC9	yellow
R23	*	C21		VD9	КД707AC9	yellow
R24	*	C22		VD10	КД707AC9	yellow
R25	300k Ω	C23				
R26	300k Ω					
R27	5.1M Ω	DD1	KA1835BГ5			
R28	200k Ω	DD2	KA512BИ1			
R29		DD3	KA1835BГ4			
R30	200k Ω	DD4	KA1835BГ3			
R31	9.1k Ω	DD5	KA1835BГ1			
R32		DD6	KA537PY10B			
R33		DD7	KA537PY10B			
R34	100k Ω	DD8	KA537PY10B			
R35	100k Ω	DD9	KA537PY10B			
R36		DD10	KA537PY10B			
R37		DD11	KA537PY10B			
R38		DD12	KA537PY10B			
R39		DD13	KA537PY10B			
R40						
R41		VT1	npn	red		
R42	10k Ω	VT2	npn	black		
R43	100k Ω	VT3	npn	black		
R44	100k Ω	VT4	npn	black		
R45		VT5	npn	black		
R46	27k Ω	VT6	npn	black		
R47	300k Ω	VT7	npn	black		
R48	47k Ω	VT8	npn	black		
R49	100k Ω	VT9	npn	black		
R50	5.1k Ω	VT10	npn	red		
R51	47k Ω	VT11	npn	white		
R52		VT12	npn	black		
R53	300k Ω	VT13	npn	black		
R54	300k Ω	VT14	npn	red		

The measured resistances are rounded to the nearest standard values.